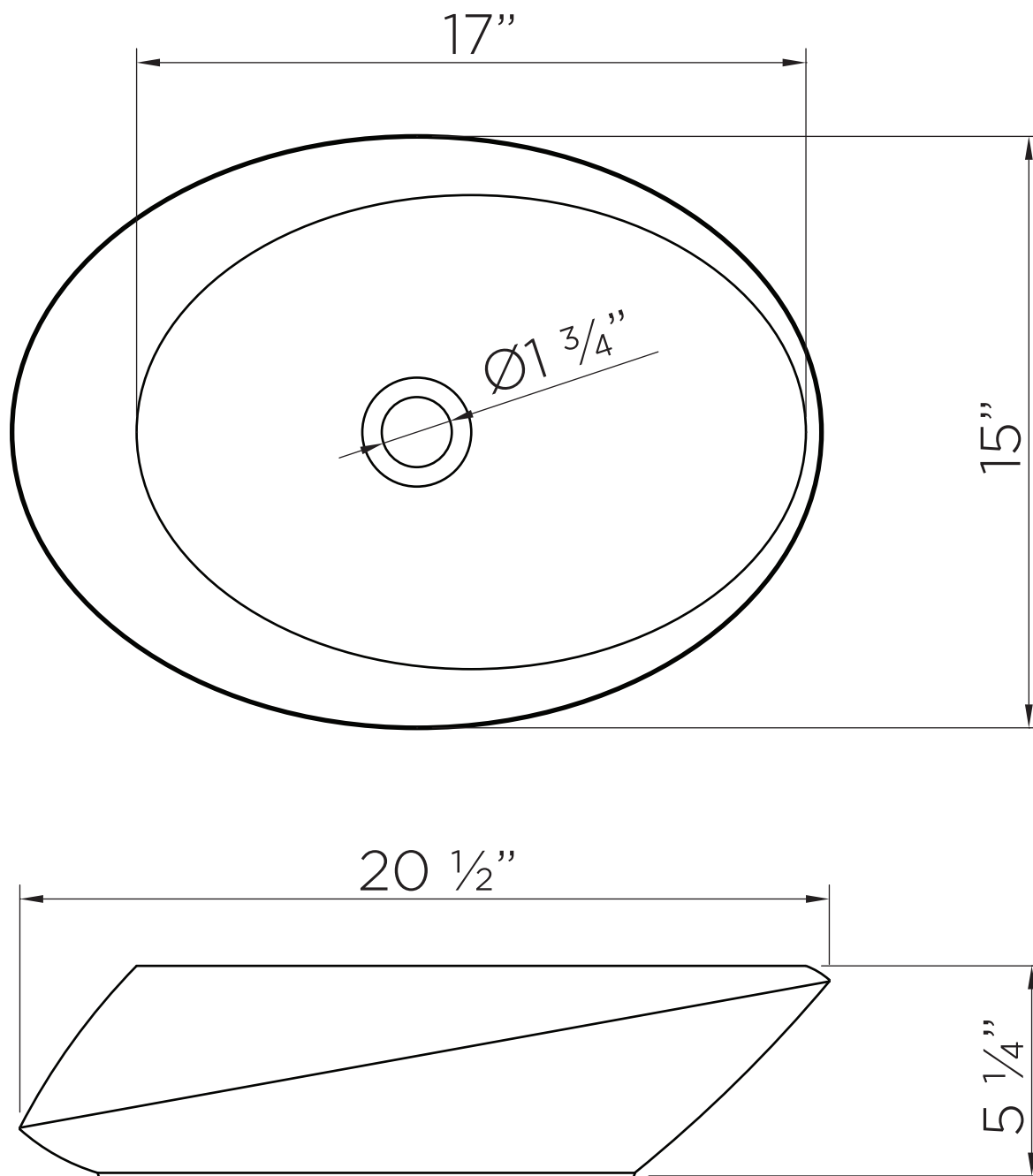


## DIMENSIONS/TECHNICAL DATA



**ATTENTION!** Dimensions may vary by up to  $\frac{3}{8}"$ . It is highly recommended to pull all dimensions of actual model for installation and measuring purposes.

## TECHNICAL DATA